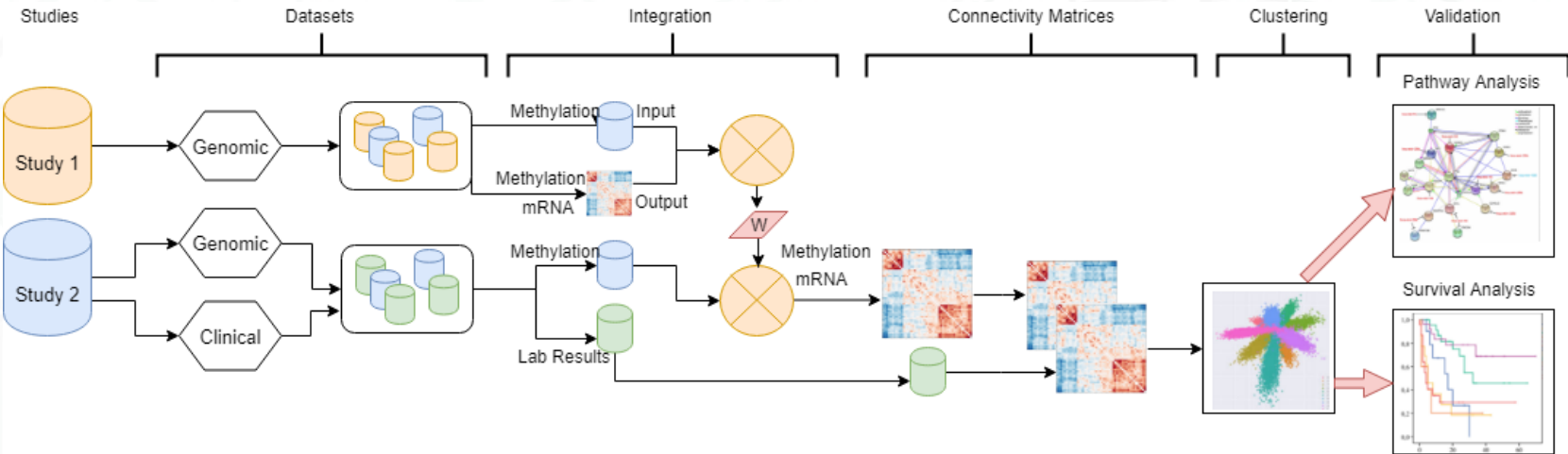
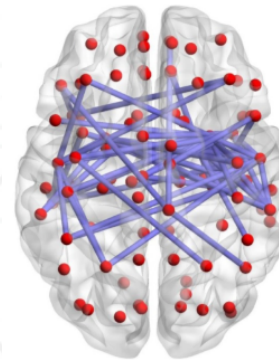
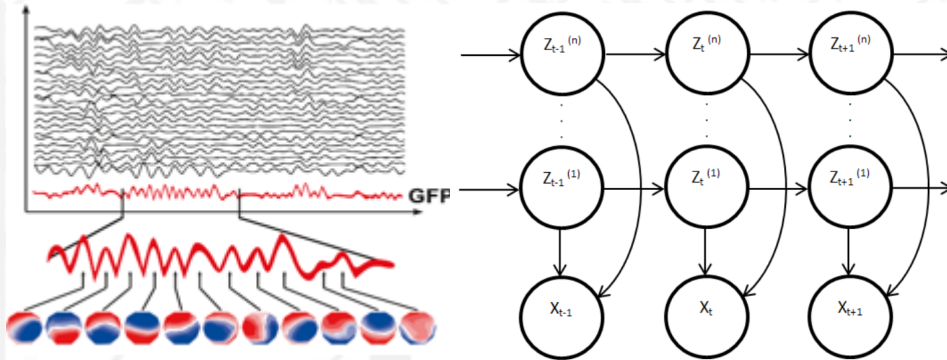




Deep Learning Based Integrative Cancer Subtyping using Heterogeneous Data from Multiple Studies



Hidden State Discovery of Functional Neonate Brain Networks using EEG Data



Adaptive Disease Risk Prediction

